

TITAN

Impact Sockets

Pipe Wrenches

C-Clamps

Vises



Table of Contents

Category	Page
Sockets Sets & Accessories	
1/4" Drive	1
3/8" Drive	2-3
1/2" Drive	4-7
3/4" Drive	8-9
1" Drive	10-11
Torsion Core Impact Bit Sets	12
Assorted Socket Sets	13-14
Set Components	15-20
Pipe Wrenches, C-Clamps & Vises	
Chain & Strap Wrenches	21
Pipe Wrenches	22-24
Internal Pipe Wrenches	25
Auto Wrenches	25
Construction Wrenches	26
C-Clamps	26
Vises & Vise Accessories	27-29



Impact Socket Program

1/4" Drive

53 pc 1/4" Drive SAE and Metric Impact Socket Set

- Chrome-moly construction for durability
- Laser etched size markings for easy identification
- Heavy duty blow molded storage case
- Radius corner design reduces fastener wear

Set Includes:

- (10) 6 Point SAE Sockets
- (10) 6 Point SAE Deep Sockets: 3/16, 7/32, 1/4, 9/32, 5/16, 11/32, 3/8, 7/16, 1/2 and 9/16 Inch
- (14) 6 Point Metric Sockets
- (14) 6 Point Metric Deep Sockets: 4, 4.5, 5, 5.5, 6, 7, 8, 9, 10, 11, 12, 13, 14 and 15 mm
- (3) Extension Bars: 2, 4, and 6 Inch
- 1/4 Inch Drive U-joint
- 1/4 Inch to 3/8 Inch Drive Adapter



Item#	UPC	Inner	Master
46053	8-02090-46053-1	1	5



Item# 46155



Item# 46157



Item# 46158

Item#	Item Description	UPC	Inner	Master
46158	1/4" Dr. Impact Pin Free Locking Universal Joint	8-02090-46158-3	-	-
46157	1/4" F x 3/8" M Impact Wobble Adapter	8-02090-46157-6	6	24
46155	1/4" dr F to 3/8" Dr M Impact Socket Adapter	8-02090-46155-2	12	120

1/4" Drive U-Joint and Impact Socket Adapters

- Chrome-moly construction for durability
- Laser etched size markings for easy identification

3/8" Drive



12 pc. 3/8" Drive SAE Deep Impact Socket Set

- Chrome-moly construction for durability
- Laser etched size markings for easy identification
- Heavy duty blow molded storage case
- Radius corner design reduces fastener wear

Set Includes:

(12) 6 Point SAE Deep Sockets: 5/16, 3/8, 7/16, 1/2, 9/16, 5/8, 11/16, 3/4, 13/16, 7/8, 15/16 and 1 inch

Item#	UPC	Inner	Master
48300	8-02090-48300-4	1	5



13 pc 3/8" Drive Metric Deep Impact Socket Set

- Chrome-moly construction for durability
- Laser etched size markings for easy identification
- Heavy duty blow molded storage case
- Radius corner design reduces fastener wear

Set Includes:

(13) 6 Point Metric Deep Sockets: 7, 8, 9, 10, 11, 12, 13, 14, 15, 16, 17, 18 and 19 mm

Item#	UPC	Inner	Master
48400	8-02090-48400-1	1	5



6 pc. 3/8" Drive Impact Socket Accessory Set

- Chrome-moly construction for durability

Set Includes:

(1) Universal Joint

(1) 3/8" F x 1/4" M Reducing Adapter

(1) 3/8" F x 1/2" M Increasing Adapter (3)

Extensions: 1-3/4", 3, and 6" lengths

Item#	UPC	Inner	Master
48100	8-02090-48100-0	6	36



3 pc. 3/8" Drive Impact Extension Set

- Chrome-moly construction for durability

Set Includes: 1-3/4", 3" and 6" lengths

Item#	UPC	Inner	Master
48140	8-02090-48140-6	6	24

3/8" Drive

3/8" F x 1/4" M Reducing Adapter



- Chrome-moly construction for durability
- Laser etched size markings for easy identification

Item#	UPC	Inner	Master
48355	8-02090-48355-4	12	120

3/8" F x 1/2" M Increasing Adapter



- Chrome-moly construction for durability
- Laser etched size markings for easy identification

Item#	UPC	Inner	Master
48354	8-02090-48354-7	12	120

3/8" F x 1/4" M Locking Wobble Reducing Adapter



- Chrome-moly construction for durability
- Laser etched size markings for easy identification

Item#	UPC	Inner	Master
48159	8-02090-48159-8	1	100

3/8" F x 1/2" M Locking Wobble Increasing Adapter



- Chrome-moly construction for durability
- Laser etched size markings for easy identification

Item#	UPC	Inner	Master
48158	8-02090-48158-1	1	100

3/8" Drive Pin-Free Locking Universal Joint



- Chrome-moly construction for durability
- Laser etched size markings for easy identification

Item#	UPC	Inner	Master
48160	8-02090-48160-4	1	100

3/8" Drive Universal Joint



- Chrome-moly construction for durability
- Laser etched size markings for easy identification

Item#	UPC	Inner	Master
48130	8-02090-48130-7	24	96

1/2" Drive



13 pc. 1/2" Drive SAE Deep Impact Socket Set

- Chrome-moly construction for durability
- Laser etched size markings for easy identification
- Heavy duty blow molded storage case
- Radius corner design reduces fastener wear

Set Includes:

(13) 6 Point SAE Deep Sockets: 7/16, 1/2, 9/16, 5/8, 11/16, 3/4, 13/16, 7/8, 15/16, 1, 1-1/16, 1-1/8 and 1-1/4 Inch

Item#	UPC	Inner	Master
42313	8-02090-42313-0	1	4



14 pc. 1/2" Drive Metric Deep Impact Socket Set

- Chrome-moly construction for durability
- Laser etched size markings for easy identification
- Heavy duty blow molded storage case
- Radius corner design reduces fastener wear

Set Includes:

(14) 6 Point Metric Deep Sockets: 10, 11, 12, 13, 14, 15, 16, 17, 18, 19, 21, 22, 26 and 27 mm

Item#	UPC	Inner	Master
42404	8-02090-42404-5	1	4

1/2" Drive

19 pc. 1/2" Drive SAE Deep Impact Socket Set

- Chrome-moly construction for durability
- Laser etched size markings for easy identification
- Heavy duty blow molded storage case
- Radius corner design reduces fastener wear

Set Includes:

(19) 6 Point SAE Deep Sockets: 3/8, 7/16, 1/2, 9/16, 5/8, 11/16, 3/4, 13/16, 7/8, 15/16, 1, 1-1/16, 1-1/8, 1-3/16, 1-1/4, 1-5/16, 1-3/8, 1-7/16 and 1-1/2 Inch

Item#	UPC	Inner	Master
42319	8-02090-42319-2	1	2



26 pc. 1/2" Drive Metric Deep Impact Socket Set

- Chrome-moly construction for durability
- Laser etched size markings for easy identification
- Heavy duty blow molded storage case
- Radius corner design reduces fastener wear

Set Includes:

(26) 6 Point Metric Deep Sockets: 10, 11, 12, 13, 14, 15, 16, 17, 18, 19, 20, 21, 22, 23, 24, 25, 26, 27, 28, 29, 30, 32, 33, 34, 35 and 36 mm

Item#	UPC	Inner	Master
42406	8-02090-42406-9	1	2



1/2" Drive

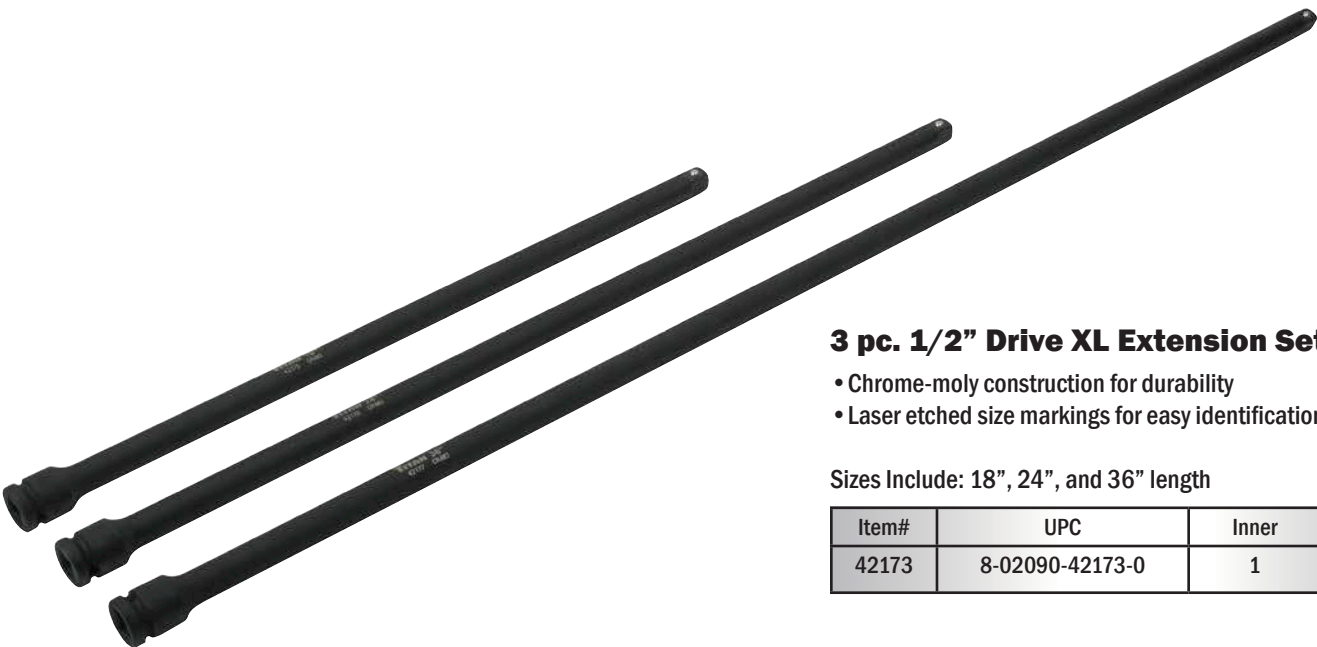


3 pc. 1/2" Drive Impact Extension Bar Set

- Chrome-moly construction for durability
- Laser etched size markings for easy identification

Set Includes: 3", 5" and 10" lengths

Item#	UPC	Inner	Master
42140	8-02090-42140-2	6	12



3 pc. 1/2" Drive XL Extension Set

- Chrome-moly construction for durability
- Laser etched size markings for easy identification

Sizes Include: 18", 24", and 36" length

Item#	UPC	Inner	Master
42173	8-02090-42173-0	1	6



6 pc. 1/2" Drive Impact Socket Accessory Set

- Chrome-moly construction for durability

Set Includes:

- (1) Universal Joint
- (1) 1/2" F x 3/8" M Reducing Adapter
- (1) 1/2" F x 3/4" M Increasing Adapter
- (3) Extension Bars: 3", 5", and 7" length

Item#	UPC	Inner	Master
42100	8-02090-42100-6	5	10

1/2" Drive

Increasing and Reducing Locking Wobble Adapters

- Chrome-moly construction for durability
- Laser etched size markings for easy identification



Increasing and Reducing Adapters

- Chrome-moly construction for durability
- Laser etched size markings for easy identification



Item#	Item Description	UPC	Inner	Master
42157	1/2" Dr. to F x 3/8" Dr. M	8-02090-42157-0	1	100
42158	1/2" Dr. to F x 3/4" Dr. M	8-02090-42158-7	6	24

Item#	Item Description	UPC	Inner	Master
42356	1/2" Dr. F to 3/4" Dr. M	8-02090-42356-7	6	48
42355	1/2" Dr. F to 3/8" Dr. M	8-02090-42355-0	12	120

1/2" Drive Pin-Free Locking Universal Joint

- Chrome-moly construction for durability
- Laser etched size markings for easy identification



1/2" Drive Pin-Free Locking Universal Joint

- Chrome-moly construction for durability
- Laser etched size markings for easy identification



Item#	UPC	Inner	Master
42130	8-02090-42130-3	24	96

Item#	UPC	Inner	Master
42160	8-02090-42160-0	6	24



Item# 42177



Item# 42176



Item# 42175



Item# 42150



Item# 42145



Item# 42143

Item#	Item Description	UPC	Inner	Master
42143	3" 1/2" Dr. Impact Extension	8-02090-42143-3	20	80
42145	5" 1/2" Dr. Impact Extension	8-02090-42145-7	20	80
42150	10" 1/2" Dr. Impact Extension	8-02090-42150-1	24	48
42175	18" 1/2" Dr. Impact Extension	8-02090-42175-4	6	24
42176	24" 1/2" Dr. Impact Extension	8-02090-42176-1	6	12
42177	36" 1/2" Dr. Impact Extension	8-02090-42177-8	6	12

3/4" Drive



8 pc. 3/4" Drive SAE Deep Impact Socket Sets

- Chrome-moly construction for durability
- Laser etched size markings for easy identification
- Heavy duty blow molded storage case
- Radius corner design reduces fastener wear

Set Includes:

(8) 6 Point SAE Deep Sockets: 1-1/16", 1-1/8", 1-1/4", 1-5/16", 1-3/8", 1-7/16", 1-1/2" and 1 Inch

Item#	UPC	Inner	Master
44300	8-02090-44300-8	1	2



8 pc. 3/4" Drive Metric Deep Impact Socket Sets

- Chrome-moly construction for durability
- Laser etched size markings for easy identification
- Heavy duty blow molded storage case
- Radius corner design reduces fastener wear

Set Includes:

(8) 6 Point Metric Deep Sockets: 26, 27, 29, 30, 32, 35, 36 and 38 mm

Item#	UPC	Inner	Master
44600	8-02090-44600-9	1	2

3/4" Drive

Increasing and Reducing Adapters

- Chrome-moly construction for durability
- Laser etched size markings for easy identification

Item#	Item Description	UPC	Inner	Master
42357	3/4" F x 1/2" M Reducing Adapter	8-02090-42357-4	6	48
42358	3/4" F x 1" M Increasing Adapter	8-02090-42357-4	6	48



Item# 42358



Item# 42357

3/4" Drive Universal Joint

- Chrome-moly construction for durability
- Laser etched size markings for easy identification

Item#	UPC	Inner	Master
44130	8-02090-44130-1	6	12



Item# 44013

Item# 44010

Item# 44008

Item# 44003

Item#	Item Description	UPC	Inner	Master
44003	3/4" Dr. x 4" Impact Extension Bar	8-02090-44003-8	12	24
44008	3/4" Dr. x 6" Impact Extension Bar	8-02090-44008-3	12	24
44010	3/4" Dr. x 10" Impact Extension Bar	8-02090-44010-6	6	12
44013	3/4" Dr. x 13" Impact Extension Bar	8-02090-44013-7	6	12

3/4" Drive Impact Extension Bars

- Chrome-moly construction for durability
- Laser etched size markings for easy identification

1" Drive



9 pc. 1" Drive SAE Deep Impact Socket Set

- Chrome-moly construction for durability
- Laser etched size markings for easy identification
- Heavy duty blow molded storage case
- Radius corner design reduces fastener wear

Set Includes:

(9) 6 Point SAE Deep Sockets:
1", 1-1/8", 1-1/4", 1-3/8", 1-1/2",
1-5/8", 1-3/4", 1-7/8" and 2"

Item#	UPC	Inner	Master
40309	8-02090-40309-5	1	2



8 pc. 1" Drive Metric Deep Impact Socket Set

- Chrome-moly construction for durability
- Laser etched size markings for easy identification
- Heavy duty blow molded storage case
- Radius corner design reduces fastener wear

Set Includes:

(8) 6 Point Metric Deep Sockets:
27, 30, 32, 33, 35, 36, 38 and 41 mm

Item#	UPC	Inner	Master
41908	8-02090-41908-9	1	2

1" Drive

MORE SOCKET FOR MORE TORQUE!

TITAN 1" Drive Impact Sockets & Adapters

Made for the BIG job!

**Impact gun not offered*



1" F x 3/4" M Reducing Adapter

- Chrome-moly construction for durability
- Laser etched size markings for easy identification

Item#	UPC	Inner	Master
42359	8-02090-42359-8	6	36



1" Drive Impact Extension Bars

- Chrome-moly construction for durability
- Laser etched size markings for easy identification

Item#	Item Description	UPC	Inner	Master
40144	1" Drive x 4" Impact Extension Bar	8-02090-40144-2	1	6
40146	1" Drive x 6" Impact Extension Bar	8-02090-40146-6	6	12
40150	1" Drive x 10" Impact Extension Bar	8-02090-40150-3	6	12
40153	1" Drive x 13" Impact Extension Bar	8-02090-40153-4	6	12

TORSION CORE IMPACT BIT SOCKET SETS



Dual-property alloy ensures bit sockets will withstand high torque for easier removal of stubborn fasteners

TorsionCore™ HI-SPEC shaft for 3X the life cycle of traditional impact bit sockets

Patented design reduces stripping of fasteners

- Dual-property alloy ensures bit sockets will withstand high torque for easier removal of stubborn fasteners
- Patented design reduces stripping of fasteners
- TorsionCore™ HI-SPEC shaft for 3X the life cycle of traditional impact bit sockets

7 pc. 1/2" Drive Impact Star Bit Socket Set

Fits both Torx and Torx Plus fasteners!



Sizes Include: T30, T40, T45, T50, T55, T60, T70

Item#	UPC	Inner	Master
42977	8-02090-42977-4	6	18

6 pc. 1/2" Drive Metric Impact Hex Bit Socket Set



Sizes Include: 7mm, 8mm, 9mm, 10mm, 12mm, 14mm

Item#	UPC	Inner	Master
42906	8-02090-42906-4	6	24

5 pc. 1/2" Drive SAE Impact Hex Bit Socket Set



Sizes Include: 1/4", 5/16", 3/8", 7/16", 1/2"

Item#	UPC	Inner	Master
42925	8-02090-42925-5	6	18

4 pc. 3/4" Drive SAE Impact Hex Bit Socket Set



Sizes Include: 3/4", 11/16", 5/8", 9/16"

Item#	UPC	Inner	Master
44101	8-02090-44101-1	1	12

5 pc. 3/4" Drive Metric Impact Hex Bit Socket Set



Sizes Include: 15 mm, 16 mm, 17 mm, 18 mm, 19 mm

Item#	UPC	Inner	Master
44505	8-02090-44505-7	1	10

Assorted Impact Socket Sets

3 pc. Impact Reducer Adapter Set

- Chrome-moly construction for durability
- Laser etched size markings for easy identification
- Heavy duty blow molded storage case
- Set Includes:
3/4" F x 1/2" M, 1/2" F x 3/8" M, 3/8" F x 1/4" M



Item#	UPC	Inner	Master
12036	8-02090-12036-7	6	12

8 pc. Impact Socket Adapter Set

- Chrome-moly construction for durability
- Laser etched size markings for easy identification
- Heavy duty blow molded storage case

Set Includes
(8) Adapters:
1" F x 3/4" M,
3/4" F x 1/2" M,
1/2" F x 3/8" M,
3/8" F x 1/4" M,
1/4" F x 3/8" M,
3/8" F x 1/2" M,
1/2" F x 3/4" M,
3/4" F x 1" M



Item#	UPC	Inner	Master
40000	8-02090-40000-1	4	8

5 pc. Pin-Free Locking Impact Universal Joint Adapter Set

- Chrome-moly construction for durability
- Laser etched size markings for easy identification
- Set includes:
1/4" F-3/8" M, 3/8" F-1/4" M, 3/8" F-1/2" M,
1/2" F-3/8" M, 1/2" F-3/4" M



Item#	UPC	Inner	Master
16150	8-02090-16150-6	6	24

Assorted Impact Socket Sets



9 pc. Impact Extension Set

- Chrome-moly construction for durability
- Laser etched size markings for easy identification

Set Includes:

- (3) 1/4" Drive: 2", 4", and 6" length
- (3) 3/8" Drive: 1-3/4", 3", and 6" length
- (3) 1/2" Drive: 3", 5", and 10" length

Item#	UPC	Inner	Master
40109	8-02090-40109-1	6	12



3 pc. Locking Impact Universal Joint Set

- Chrome-moly construction for durability
- Laser etched size markings for easy identification

• Includes:

1/4", 3/8", and 1/2" Drive

• Replacement U-Joint individual item #:

1/4" Dr- 46158

3/8" Dr- 48160

1/2" Dr- 42160

Item#	UPC	Inner	Master
16151	8-02090-16151-3	6	24



3 pc. Impact Universal Joint Set

- Chrome-moly construction for durability
- Laser etched size markings for easy identification

Set Includes:

1/2", 1/4", and 3/8" Drive

Item#	UPC	Inner	Master
40160	8-02090-40160-2	6	48

Set Components

1/4" Drive

Item#	UPC	Inner	Master
46053	8-02090-46053-1	1	5

46006	3/16" 1/4" Dr. 6pt Std Impact Socket	46207	7mm 1/4" Dr. 6pt Std Impact Socket
46007	7/32" 1/4" Dr. 6pt Std Impact Socket	46208	8mm 1/4" Dr. 6pt Std Impact Socket
46008	1/4" 1/4" Dr. 6pt Std Impact Socket	46209	9mm 1/4" Dr. 6pt Std Impact Socket
46009	9/32" 1/4" Dr. 6pt Std Impact Socket	46210	10mm 1/4" Dr. 6pt Std Impact Socket
46010	5/16" 1/4" Dr. 6pt Std Impact Socket	46211	11mm 1/4" Dr. 6pt Std Impact Socket
46011	11/32" 1/4" Dr. 6pt Std Impact Socket	46212	12mm 1/4" Dr. 6pt Std Impact Socket
46012	3/8" 1/4" Dr. 6pt Std Impact Socket	46213	13mm 1/4" Dr. 6pt Std Impact Socket
46014	7/16" 1/4" Dr. 6pt Std Impact Socket	46214	14mm 1/4" Dr. 6pt Std Impact Socket
46016	1/2" 1/4" Dr. 6pt Std Impact Socket	46215	15mm 1/4" Dr. 6pt Std Impact Socket
46018	9/16" 1/4" Dr. 6pt Std Impact Socket	46404	4mm 1/4" Dr. 6pt Deep Impact Socket
46306	3/16" 1/4" Dr. 6pt Deep Impact Socket	46402	4.5mm 1/4" Dr. 6pt Deep Impact Socket
46307	7/32" 1/4" Dr. 6pt Deep Impact Socket	46405	5mm 1/4" Dr. 6pt Deep Impact Socket
46308	1/4" 1/4" Dr. 6pt Deep Impact Socket	46403	5.5mm 1/4" Dr. 6pt Deep Impact Socket
46309	9/32" 1/4" Dr. 6pt Deep Impact Socket	46406	6mm 1/4" Dr. 6pt Deep Impact Socket
46310	5/16" 1/4" Dr. 6pt Deep Impact Socket	46407	7mm 1/4" Dr. 6pt Deep Impact Socket
46311	11/32" 1/4" Dr. 6pt Deep Impact Socket	46408	8mm 1/4" Dr. 6pt Deep Impact Socket
46312	3/8" 1/4" Dr. 6pt Deep Impact Socket	46409	9mm 1/4" Dr. 6pt Deep Impact Socket
46314	7/16" 1/4" Dr. 6pt Deep Impact Socket	46410	10mm 1/4" Dr. 6pt Deep Impact Socket
46316	1/2" 1/4" Dr. 6pt Deep Impact Socket	46411	11mm 1/4" Dr. 6pt Deep Impact Socket
46318	9/16" 1/4" Dr. 6pt Deep Impact Socket	46412	12mm 1/4" Dr. 6pt Deep Impact Socket
46204	4mm 1/4" Dr. 6pt Std Impact Socket	46413	13mm 1/4" Dr. 6pt Deep Impact Socket
46202	4.5mm 1/4" Dr. 6pt Std Impact Socket	46414	14mm 1/4" Dr. 6pt Deep Impact Socket
46205	5mm 1/4" Dr. 6pt Std Impact Socket	46415	15mm 1/4" Dr. 6pt Deep Impact Socket
46203	5.5mm 1/4" Dr. 6pt Std Impact Socket	46142	1/4" Dr 2" Impact Extension
46206	6mm 1/4" Dr. 6pt Std Impact Socket	46144	1/4" Dr 4" Impact Extension
		46146	1/4" Dr 6" Impact Extension
		46155	1/4" Dr F to 3/8" Dr M Impact Sckt Adpt
		46130	1/4" Dr. Impact Universal Joint



53 pc 1/4 in. dr SAE and Metric Impact Socket Set

3/8" Drive

Item#	UPC
48300	8-02090-48300-4

48310	5/16" 3/8" Dr. 6pt Deep Impact Socket	48322	11/16" 3/8" Dr. 6pt Deep Impact Socket
48312	3/8" 3/8" Dr. 6pt Deep Impact Socket	48324	5/8" 3/8" Dr 6pt Deep Impact Socket
48314	7/16" 3/8" Dr. 6pt Deep Impact Socket	48326	13/16" 3/8" Dr. 6pt Deep Impact Socket
48316	1/2" 3/8" Dr. 6pt Deep Impact Socket	48328	7/8" 3/8" Dr. 6pt Deep Impact Socket
48318	9/16" 3/8" Dr. 6pt Deep Impact Socket	48330	15/16" 3/8" Dr. 6pt Deep Impact Socket
48320	5/8" 3/8" Dr. 6pt Deep Impact Socket	48332	1" 3/8" Dr. 6pt Deep Impact Socket

Item#	UPC
48400	8-02090-48400-1

48407	7mm 3/8" Dr. 6pt Deep Impact Socket	48414	14mm 3/8" Dr. 6pt Deep Impact Socket
48408	8mm 3/8" Dr. 6pt Deep Impact Socket	48415	15mm 3/8" Dr. 6pt Deep Impact Socket
48409	9mm 3/8" Dr. 6pt Deep Impact Socket	48416	16mm 3/8" Dr. 6pt Deep Impact Socket
48410	10mm 3/8" Dr. 6pt Deep Impact Socket	48417	17mm 3/8" Dr. 6pt Deep Impact Socket
48411	11mm 3/8" Dr. 6pt Deep Impact Socket	48418	18mm 3/8" Dr. 6pt Deep Impact Socket
48412	12mm 3/8" Dr. 6pt Deep Impact Socket	48419	19mm 3/8" Dr. 6pt Deep Impact Socket
48413	13mm 3/8" Dr. 6pt Deep Impact Socket		



12 pc. 3/8" Drive SAE Deep Impact Socket Set



13 pc 3/8" Drive Metric Deep Impact Socket Set

Set Components

3/8" Drive



6 pc. 3/8" Drive Impact Socket Accessory Set

Item#	UPC
48140	8-02090-48140-6

48150	1-3/4" 3/8" Dr. Impact Extension Bar
48143	3" 3/8" Dr. Impact Extension Bar
48146	6" 3/8" Dr. Impact Extension Bar



3 pc. 3/8" Drive Impact Extension Set

Item#	UPC
48100	8-02090-48100-0

48130	3/8" Dr. Impact Universal Joint
48156	3/8" Dr F x 1/4" Dr M Impact Adapter
48157	3/8" Dr F x 1/2" Dr M Impact Adapter
48150	1-3/4" 3/8" Dr. Impact Extension Bar
48143	3" 3/8" Dr. Impact Extension Bar
48146	6" 3/8" Dr. Impact Extension Bar

1/2" Drive



13 pc. 1/2" Drive SAE Deep Impact Socket Set

Item#	UPC
42313	8-02090-42313-0

42314	7/16" 1/2" Dr. 6pt Deep Impact Socket
42316	1/2" 1/2" Dr. 6pt Deep Impact Socket
42318	9/16" 1/2" Dr. 6pt Deep Impact Socket
42320	5/8" 1/2" Dr. 6pt Deep Impact Socket
42322	11/16" 1/2" Dr. 6pt Deep Impact Socket
42324	3/4" 1/2" Dr. 6pt Deep Impact Socket
42326	13/16" 1/2" Dr. 6pt Deep Impact Socket
42328	7/8" 1/2" Dr. 6pt Deep Impact Socket
42330	15/16" 1/2" Dr. 6pt Deep Impact Socket
42332	1" 1/2" Dr. 6pt Deep Impact Socket
42334	1-1/16" 1/2" Dr. 6pt Deep Impact Socket
42336	1-1/8" 1/2" Dr. 6pt Deep Impact Socket
42340	1-1/4" 1/2" Dr. 6pt Deep Impact Socket

Set Components

1/2" Drive

14 pc. 1/2" Drive Metric Deep Impact Socket Set

Item#	UPC
42404	8-02090-42404-5



42410	10mm 1/2" Dr. 6pt Deep Impact Socket
42411	11mm 1/2" Dr. 6pt Deep Impact Socket
42412	12mm 1/2" Dr. 6pt Deep Impact Socket
42413	13mm 1/2" Dr. 6pt Deep Impact Socket
42414	14mm 1/2" Dr. 6pt Deep Impact Socket
42415	15mm 1/2" Dr. 6pt Deep Impact Socket
42416	16mm 1/2" Dr. 6pt Deep Impact Socket
42417	17mm 1/2" Dr. 6pt Deep Impact Socket
42418	18mm 1/2" Dr. 6pt Deep Impact Socket
42419	19mm 1/2" Dr. 6pt Deep Impact Socket
42421	21mm 1/2" Dr. 6pt Deep Impact Socket
42422	22mm 1/2" Dr. 6pt Deep Impact Socket
42426	26mm 1/2" Dr. 6pt Deep Impact Socket
42427	27mm 1/2" Dr. 6pt Deep Impact Socket



19 pc. 1/2" Drive SAE Deep Impact Socket Set

Item#	UPC
42319	8-02090-42319-2

42312	3/8" 1/2" Dr. 6pt Deep Impact Socket
42314	7/16" 1/2" Dr. 6pt Deep Impact Socket
42316	1/2" 1/2" Dr. 6pt Deep Impact Socket
42318	9/16" 1/2" Dr. 6pt Deep Impact Socket
42320	5/8" 1/2" Dr. 6pt Deep Impact Socket
42322	11/16" 1/2" Dr. 6pt Deep Impact Socket
42324	3/4" 1/2" Dr. 6pt Deep Impact Socket
42326	13/16" 1/2" Dr. 6pt Deep Impact Socket
42328	7/8" 1/2" Dr. 6pt Deep Impact Socket
42330	15/16" 1/2" Dr. 6pt Deep Impact Socket
42332	1" 1/2" Dr. 6pt Deep Impact Socket
42334	1-1/16" 1/2" Dr. 6pt Deep Impact Socket
42336	1-1/8" 1/2" Dr. 6pt Deep Impact Socket
42338	1-3/16" 1/2" Dr. 6pt Deep Impact Socket
42340	1-1/4" 1/2" Dr. 6pt Deep Impact Socket
42342	1-5/16" 1/2" Dr. 6pt Deep Impact Socket
42344	1-3/8" 1/2" Dr. 6pt Deep Impact Socket
42346	1-7/16" 1/2" Dr. 6pt Deep Impact Socket
42348	1-1/2" 1/2" Dr. 6pt Deep Impact Socket

26 pc. 1/2" Drive Metric Deep Impact Socket Set

Item#	UPC
42406	8-02090-42406-9

42410	10mm 1/2" Dr. 6pt Deep Impact Socket
42411	11mm 1/2" Dr. 6pt Deep Impact Socket
42412	12mm 1/2" Dr. 6pt Deep Impact Socket
42413	13mm 1/2" Dr. 6pt Deep Impact Socket
42414	14mm 1/2" Dr. 6pt Deep Impact Socket
42415	15mm 1/2" Dr. 6pt Deep Impact Socket
42416	16mm 1/2" Dr. 6pt Deep Impact Socket
42417	17mm 1/2" Dr. 6pt Deep Impact Socket
42418	18mm 1/2" Dr. 6pt Deep Impact Socket
42419	19mm 1/2" Dr. 6pt Deep Impact Socket
42420	20mm 1/2" Dr. 6pt Deep Impact Socket
42421	21mm 1/2" Dr. 6pt Deep Impact Socket
42422	22mm 1/2" Dr. 6pt Deep Impact Socket
42423	23mm 1/2" Dr. 6pt Deep Impact Socket
42424	24mm 1/2" Dr. 6pt Deep Impact Socket
42425	25mm 1/2" Dr. 6pt Deep Impact Socket
42426	26mm 1/2" Dr. 6pt Deep Impact Socket
42427	27mm 1/2" Dr. 6pt Deep Impact Socket
42428	28mm 1/2" Dr. 6pt Deep Impact Socket
42429	29mm 1/2" Dr. 6pt Deep Impact Socket
42430	30mm 1/2" Dr. 6pt Deep Impact Socket
42432	32mm 1/2" Dr. 6pt Deep Impact Socket
42433	33mm 1/2" Dr. 6pt Deep Impact Socket
42434	34mm 1/2" Dr. 6pt Deep Impact Socket
42435	35mm 1/2" Dr. 6pt Deep Impact Socket
42436	36mm 1/2" Dr. 6pt Deep Impact Socket



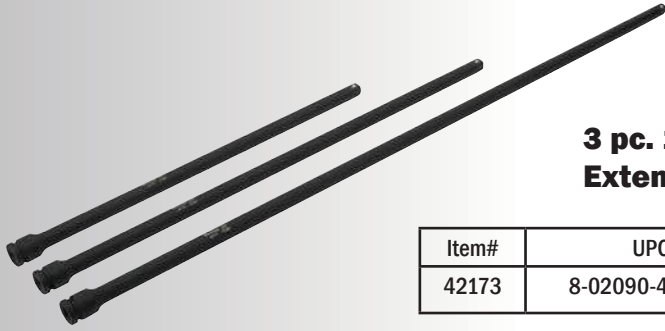
1/2" Drive



3 pc. 1/2" Drive Impact Extension Bar Set

Item#	UPC
42140	8-02090-42140-2

42143	3" 1/2" Dr. Impact Extension
42145	5" 1/2" Dr. Impact Extension
42150	10" 1/2" Dr. Impact Extension



3 pc. 1/2" Drive XL Extension Set

Item#	UPC
42173	8-02090-42173-0

42175	18" 1/2" Dr. Impact Extension
42176	24" 1/2" Dr. Impact Extension
42177	36" 1/2" Dr. Impact Extension



6 pc. 1/2" Drive Impact Socket Accessory Set

Item#	UPC
42100	8-02090-42100-6

42130	1/2" Dr. Impact Universal Joint
42355	1/2" Dr. F to 3/8" Dr. M Impact Adapter
42356	1/2" Dr. F to 3/4" Dr. M Impact Adapter
42143	3" 1/2" Dr. Impact Extension
42145	5" 1/2" Dr. Impact Extension
42146	7" 1/2" Dr. Impact Extension

3/4" Drive



8 pc. 3/4" Drive Metric Deep Impact Socket Sets

Item#	UPC
44600	8-02090-44600-9

44826	26mm 3/4" Dr. 6pt Deep Impact Socket
44827	27mm 3/4" Dr. 6pt Deep Impact Socket
44829	29mm 3/4" Dr. 6pt Deep Impact Socket
44830	30mm 3/4" Dr. 6pt Deep Impact Socket
44832	32mm 3/4" Dr. 6pt Deep Impact Socket
44835	35mm 3/4" Dr. 6pt Deep Impact Socket
44836	36mm 3/4" Dr. 6pt Deep Impact Socket
44838	38mm 3/4" Dr. 6pt Deep Impact Socket



8 pc. 3/4" Drive SAE Deep Impact Socket Sets

Item#	UPC
44300	8-02090-44300-8

44334	1-1/16" 3/4" Dr. 6pt Deep Impact Socket
44336	1-1/8" 3/4" Dr. 6pt Deep Impact Socket
44340	1-1/4" 3/4" Dr. 6pt Deep Impact Socket
44342	1-5/16" 3/4" Dr. 6pt Deep Impact Socket
44344	1-3/8" 3/4" Dr. 6pt Deep Impact Socket
44346	1-7/16" 3/4" Dr. 6pt Deep Impact Socket
44348	1-1/2" 3/4" Dr. 6pt Deep Impact Socket
44332	1" 3/4" Dr. 6pt Deep Impact Socket

Set Components

1" Drive

8 pc. 1" Drive Metric Deep Impact Socket Set

Item#	UPC
41908	8-02090-41908-9

40927	27mm 1" Dr. 6pt Deep Impact Socket
40930	30mm 1" Dr. 6pt Deep Impact Socket
40932	32mm 1" Dr. 6pt Deep Impact Socket
40933	33mm 1" Dr. 6pt Deep Impact Socket
40935	35mm 1" Dr. 6pt Deep Impact Socket
40936	36mm 1" Dr. 6pt Deep Impact Socket
40938	38mm 1" Dr. 6pt Deep Impact Socket
40941	41mm 1" Dr. 6pt Deep Impact Socket



9 pc. 1" Drive SAE Deep Impact Socket Set

Item#	UPC
40309	8-02090-40309-5

40332	1" 1" Dr. 6pt Deep Impact Socket
40336	1-1/8" 1" Dr. 6pt Deep Impact Socket
40340	1-1/4" 1" Dr. 6pt Deep Impact Socket
40344	1-3/8" 1" Dr. 6pt Deep Impact Socket
40348	1-1/2" 1" Dr. 6pt Deep Impact Socket
40352	1-5/8" 1" Dr. 6pt Deep Impact Socket
40356	1-3/4" 1" Dr. 6pt Deep Impact Socket
40360	1-7/8" 1" Dr. 6pt Deep Impact Socket
40364	2" 1" Dr. 6pt Deep Impact Socket



Set Components

Assorted Sets



9 pc. Impact Extension Set

Item#	UPC
4000	8-02090-40000-1

42359	1" F x 3/4" M Impact Adapter
42357	3/4" F x 1/2" M Impact Adapter
42355	1/2" Dr. F to 3/8" Dr. M Impact Adapter
48355	3/8" Dr F x 1/4" Dr M Impact Adapter
46155	1/4" dr F to 3/8" Dr M Impact Socket Adapter
48354	3/8" Dr F x 1/2" Dr M Impact Adapter
42356	1/2" Dr. F to 3/4" Dr. M Impact Adapter
42358	3/4" F x 1" M Impact Adapter



5 pc. Pin-Free Locking Impact Universal Joint Adapter Set

Item#	UPC
16150	8-02090-16150-6

46157	1/4" F x 3/8" M
48159	3/8" F x 1/4" M
48158	3/8" F x 1/2" M
42157	1/2" F x 3/8" M
42158	1/2" F x 3/4" M



8 pc. Impact Socket Adapter Set

Item#	UPC
40109	8-02090-40109-1

46142	1/4" Dr 2" Impact Extension
46144	1/4" Dr 4" Impact Extension
46146	1/4" Dr 6" Impact Extension
48150	1-3/4" 3/8" Dr. Impact Extension Bar
48143	3" 3/8" Dr. Impact Extension Bar
48146	6" 3/8" Dr. Impact Extension Bar
42143	3" 1/2" Dr. Impact Extension
42145	5" 1/2" Dr. Impact Extension
42150	10" 1/2" Dr. Impact Extension



3 pc. Impact Socket Universal Joint Set

Item#	UPC
40160	8-02090-40160-2

42130	1/2" Dr. Impact Universal Joint
46130	1/4" Dr. Impact Universal Joint
48130	3/8" Dr. Impact Universal Joint



Pipe Wrenches, C-Clamps and Vises

Chain and Strap Wrenches



Chain Wrenches

- One-piece forged carbon steel handle and jaw
- Chrome plated

		Item #	Chain Length	Min. Pipe Capacity	Max Pipe Capacity	UPC	Inner	Master
NEW!	12" Chain Wrench	21370	17"	2"	4"	8-02090-21370-0	5	20
NEW!	24" Chain Wrench	21372	21.65"	2"	6.7"	8-02090-21372-4	1	10

Strap Wrenches

- Fully adjustable
- Non-Marring nylon belt prevents scratching and damage to finished surfaces
- For use with pipes, fittings, conduit and shafts



	Item #	Handle Length	Strap Length	UPC	Inner	Master
12" Strap Wrench	21315	12"	36"	8-02090-21315-1	5	25
18" Strap Wrench	21316	18"	27"	8-02090-21316-8	1	20

Pipe Wrenches



Heavy Duty Pipe Wrenches

- I-beam handle design
- Heavy duty ductile iron housing
- Forged steel jaws
- Limited Lifetime Warranty

	Item #	UPC	Inner	Master
8" Heavy Duty Pipe Wrench	21308	8-02090-21308-3	6	72
10" Heavy Duty Pipe Wrench	21310	8-02090-21310-6	6	48
12" Heavy Duty Pipe Wrench	21312	8-02090-21312-0	6	36
14" Heavy Duty Pipe Wrench	21314	8-02090-21314-4	6	24
18" Heavy Duty Pipe Wrench	21318	8-02090-21318-2	4	12
24" Heavy Duty Pipe Wrench	21324	8-02090-21324-3	2	4
36" Heavy Duty Pipe Wrench	21336	8-02090-21336-6	1	4
48" Heavy Duty Pipe Wrench	21337	8-02090-21337-3	1	2

Pipe Wrenches



4pc Heavy Duty Pipe Wrench Set

- Set includes 8", 10", 14" & 24"
- I-beam handle design
- Heavy duty ductile iron housing
- Forged steel jaws
- Limited Lifetime warranty

Individual item #'s:

- 21308: 8"
- 21310: 10"
- 21314: 14"
- 21324: 24"

Item #	21304
UPC	8-02090-21304-5
Inner	1
Master	4

Pipe Wrenches



Aluminum Pipe Wrenches

- Aluminum alloy construction
- Limited Lifetime Warranty

	Item #	UPC	Inner	Master
10" Aluminum Pipe Wrench	21330	8-02090-21330-4	6	36
14" Aluminum Pipe Wrench	21334	8-02090-21334-2	6	24
18" Aluminum Pipe Wrench	21338	8-02090-21338-0	2	12
24" Aluminum Pipe Wrench	21344	8-02090-21344-1	2	6
36" Aluminum Pipe Wrench	21346	8-02090-21346-5	1	4
48" Aluminum Pipe Wrench	21348	8-02090-21348-9	1	2

Internal Pipe Wrenches // Auto Wrenches

Internal Pipe Wrenches

- Removes broken, threaded ends of pipe, pipe plugs & fittings
- Fits iron pipe nipples NPT 1/8", 1/4" and 3/4"



3pc Internal Pipe Wrench Set

Includes 3/8", 1/2", & 3/4" internal pipe wrenches

Item #	11498
UPC	8-02090-11498-4
Inner	10
Master	40

Individual Internal Pipe Wrenches

	Item #	UPC	Inner	Master
3/8" Internal Pipe Wrench	11483	8-02090-11483-0	10	100
1/2" Internal Pipe Wrench	11484	8-02090-11484-7	10	100
3/4" Internal Pipe Wrench	11485	8-02090-11485-4	10	100

Auto Wrenches



Auto Wrenches

- Forged chrome vanadium steel construction
- Sturdy wide opening jaws
- Smooth jaws prevent marring of fasteners
- Chrome finish



	Item #	UPC	Inner	Master
9" Auto Wrench	21319	8-02090-21319-9	1	24
11" Auto Wrench	21321	8-02090-21321-2	1	24
15" Auto Wrench	21325	8-02090-21325-0	1	12

Construction Wrenches // C-Clamps



Adjustable Construction Wrenches

- Black oxide finish resists corrosion
- Tapered tang for aligning bolt holes or other mating parts

	Item #	Maximum Jaw Width	UPC	Inner	Master
8" Adjustable Construction Wrench	209	1-1/4"	8-02090-209-0	6	24
12" Adjustable Construction Wrench	211	1-5/16"	8-02090-00211-3	6	18
16" Adjustable Construction Wrench	216	1-1/2"	8-02090-00216-8	4	16

C-Clamps



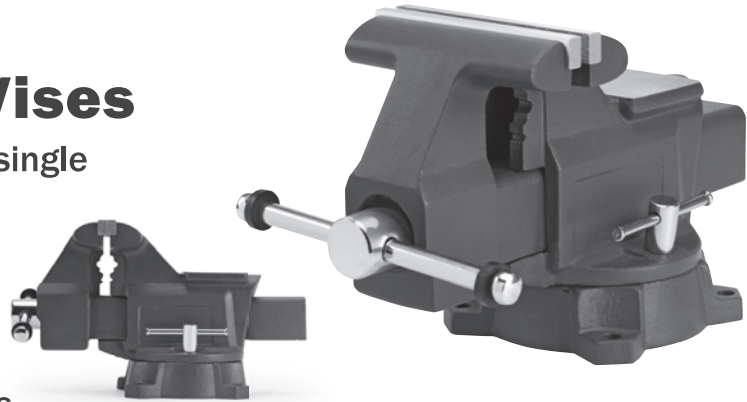
C-Clamps

- Malleable steel with a durable black enamel finish
- Chrome plated spindle and handle

	Item #	UPC	Inner	Master
2" Heavy Duty C-Clamp	51912	8-02090-51912-3	50	100
3" Heavy Duty C-Clamp	51572	8-02090-51572-9	6	24
4" Heavy Duty C-Clamp	51573	8-02090-51573-6	6	12
5" Heavy Duty C-Clamp	51574	8-02090-51574-3	6	12
6" Heavy Duty C-Clamp	51575	8-02090-51575-0	6	12
8" Heavy Duty C-Clamp	51578	8-02090-51578-1	2	10
10" Heavy Duty C-Clamp	51580	8-02090-51580-4	1	6
12" Heavy Duty C-Clamp	51582	8-02090-51582-8	2	10

Industrial Utility Vises

- 180° locking swivel base with single lockdown
- Pipe jaws
- Large built-in anvil
- 4 mounting posts
- Replaceable serrated steel jaws



	Item #	Jaw Width	Opening Capacity	Throat Depth	UPC	Inner	Master
4" Industrial Utility Bench Vise	22011	4-1/2"	4-3/4"	2-1/2"	8-02090-22011-1	1	1
5" Industrial Utility Bench Vise	22014	5-1/2"	5-3/4"	3-1/4"	8-02090-22014-2	1	1
6" Industrial Utility Bench Vise	22016	6"	6-3/4"	3-7/8"	8-02090-22016-6	1	1
8" Industrial Utility Bench Vise	22018	8"	7-1/2"	4-1/2"	8-02090-22018-0	1	1

General Purpose Vises

- Replaceable serrated steel jaws
- Large built-in anvil
- Swivel-base with position locks (item#s 22010, 22013, 22015, 22059)
- Fixed-base (item#s 22055, 22056, 22058)



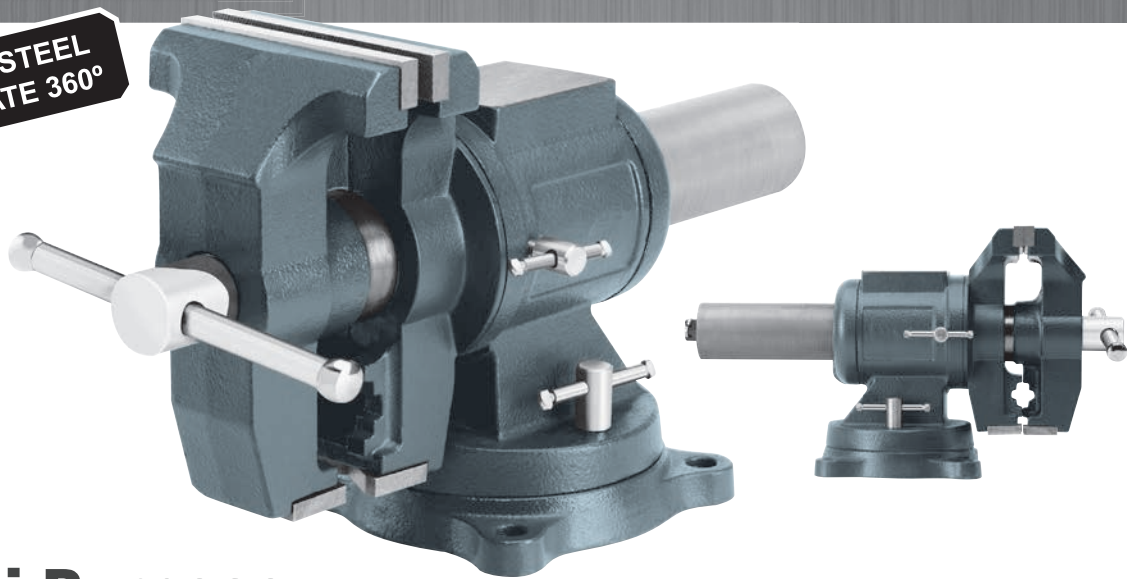
Swivel-Base Vises

	Item #	Jaw Width	Opening Capacity	Throat Depth	UPC	Inner	Master
4" General Purpose Swivel-Base Bench Vise	22010	4"	4-1/4"	4-1/2"	8-02090-22010-4	1	1
5" General Purpose Swivel-Base Bench Vise	22013	5"	5"	5-1/2"	8-02090-22013-5	1	1
6" General Purpose Swivel-Base Bench Vise	22015	6"	4-5/8"	6-1/2"	8-02090-22015-9	1	1
10" General Purpose Swivel-Base Bench Vise	22059	10"	8-7/8"	4-1/4"	8-02090-22059-3	1	1

Fixed-Base Vises

	Item #	Jaw Width	Opening Capacity	Throat Depth	UPC	Inner	Master
5" General Purpose Fixed-Base Bench Vise	22055	5"	4"	2-1/4"	8-02090-22055-5	1	1
6" General Purpose Fixed-Base Bench Vise	22056	6"	5"	2-5/8"	8-02090-22056-2	1	1
8" General Purpose Fixed-Base Bench Vise	22058	8"	6"	3-1/2"	8-02090-22058-6	1	1

**HARDENED STEEL
JAWS ROTATE 360°**



Multi-Purpose Vise

- 360° jaw rotation great for clamping at any angle
- Large built-in anvil
- Replaceable steel jaws

Item # 22012
UPC 8-02090-22012-8
Inner 1
Master 1



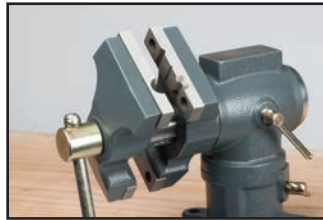
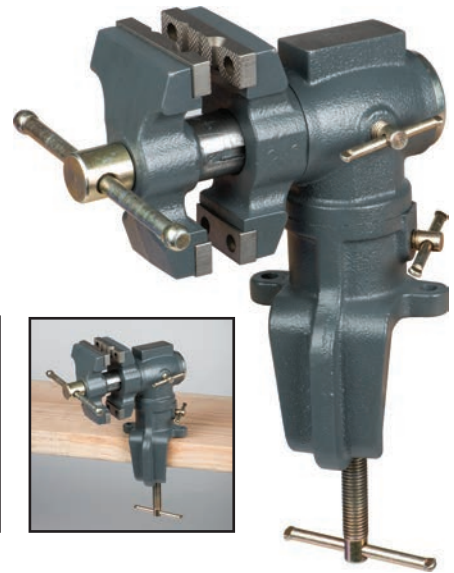
5" Quick-Release Vise

- Replaceable serrated steel jaws
- Quick release mechanism
- Precision cast iron beam
- Swivel-base with lock positions
- Large built-in anvil

Item # 22057
UPC 8-02090-22057-9
Inner 1
Master 1

2-1/2" Clamp-on Vise

- Dual jaw design includes (1) 2-1/2" knurled jaw and (1) 1-1/2" smooth jaw
- Replaceable hardened steel jaws
- Swivel base and swivel jaws rotate 360°
- Clamps to bench or can be permanently mounted
- Incorporated anvil



Item #	22052
UPC	8-02090-22052-4
Inner	1
Master	6

3" Clamp-on Vise

- Hardened steel jaws
- Includes a mini serrated pipe jaw for holding round objects
- Clamps securely to work bench

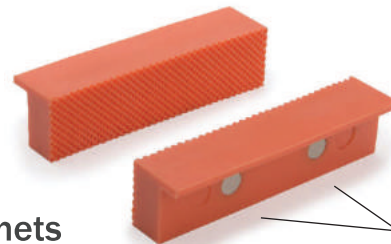


Item #	22053
UPC	8-02090-22053-1
Inner	1
Master	6

Vise Accessories

Non-Marring Jaw Pads

- For use with any 3" - 6" vise
- Knurled surface provides enhanced grip
- Securely fastens to vise jaws with 2 strong magnets
- Non-Marring material prevents clamp marks, scratching and damage to finished surfaces



	Item #	UPC	Inner	Master
2 pc. Vise Jaw Pads, for use with any 3" - 6" vise	22020	8-02090-22020-3	12	36
2 pc. Vise Jaw Pads, for use with any 3" - 4-1/2" vise	22019	8-02090-22019-7	12	36

TITAN